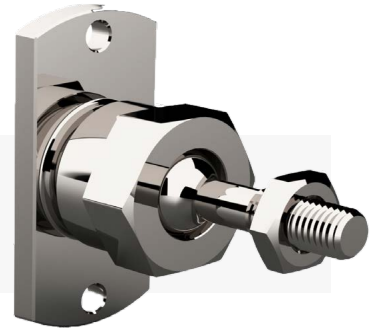




SWIVEL MOUNT

For flame detector 660, 760, 860



Wall mount in Stainless Steel.

Product data	20856	24784
Detector type	Aluminum 660, 760, 860	Stainless Steel 660, 760, 860
Position	Swivel angle $\pm 30^\circ$, all directions	Swivel angle $\pm 30^\circ$, all directions
Connection	9/16-20 UNF-2A	9/16-12 UNC-2A
Weight	0.35 kg (0.77 lbs)	2.71 kg (5.97 lbs)
Materials	Stainless Steel 304	Stainless Steel 316



John M. Ellsworth Co., Inc.

P.O. Box 240072
8700 West Bradley Road
Milwaukee, WI 53224

800-333-3331 **PHONE**
800-563-8848 **FAX**

info@jmesales.com **E-MAIL**
www.JMESales.com **WEB**

Swivel mount for flame detector 660, 760, 860



For aluminum detector
660, 760, 860

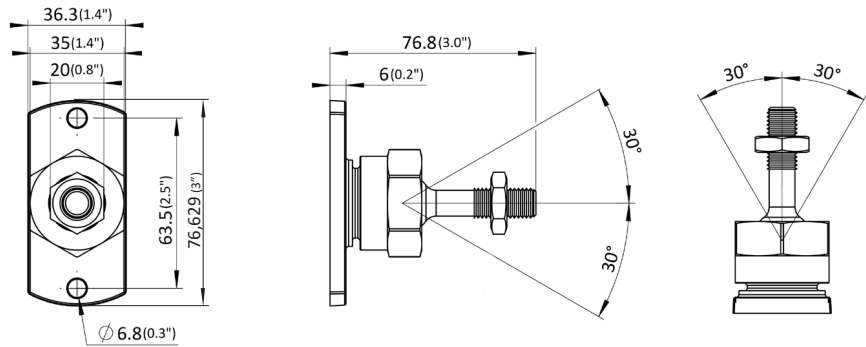


Figure 1 Dimension- and assembly drawing for art. 20856



For Stainless Steel detector
660, 760, 860

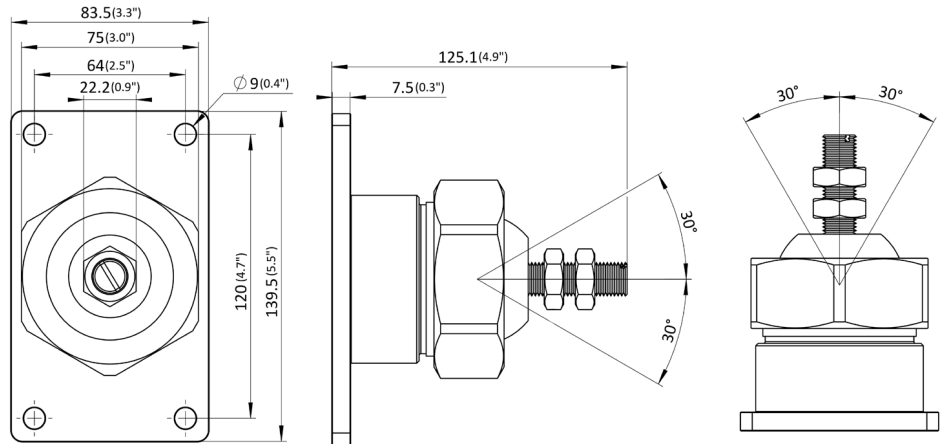


Figure 2 Dimension- and assembly drawing for art. 24784



A John M. Ellsworth Company

John M. Ellsworth Co., Inc.

P.O. Box 240072
8700 West Bradley Road
Milwaukee, WI 53224

800-333-3331 **PHONE**
800-563-8848 **FAX**

info@jmesales.com **E-MAIL**
www.JMESales.com **WEB**